

LED CONVERTERS

ELECTRONIC CONVERTERS
FOR VOLTAGE DRIVEN
LED MODULES



LED CONVERTERS

LEDLine EDX – Electronic converters for voltage driven LED modules

A voltage-stabilising system is required whenever LED modules are operated in parallel. The system's advantages include easy extensibility and safety due to low voltages.

Electronic converters made by Vossloh-Schwabe work with a broad voltage range of 12 V and 24 V.

Typical applications include architectural, general and furniture lighting. These converters provide an optimum solution for replacing halogen lamps with voltage-operated LED modules. In fact, optimum operation is even guaranteed when used with a mixture of halogen and LED lamps (mostly operated at 12 V).

Vossloh-Schwabe also offers IP67 LED converters for outdoor use.

LED Converters EDX

- OVERLOAD PROTECTION
- OVERHEATING PROTECTION
- SHORT CIRCUITING PROTECTION
- 50,000 HRS SERVICE LIFE TIME

LEDLine EDXe 112

Electronic converters for Light Emitting Diodes

Vossloh-Schwabe's LEDLine EDXe 112/12 V converter is a control component with a voltage output of 12 V and an output of up to 12 W for operating LED applications.

The converter is electronically protected against overload, overheating and short-circuiting.

Mains voltage: 220/240 V
Mains frequency: 50-60 Hz
Protection against "no load" operation
Degree of protection: IP20
Protection class II
SELV-equivalent
Power factor: 0.57
Output: 0.1-12 W
Voltage output: 12 V \pm 0.6 V
Output current: 1 A
Ambient temperature t_a : -20 to 50 °C
Casing temperature t_c : 75 °

Converter EDXe 112

Shape (LxWxH): 103.5 x 36 x 22 mm
Fixing centres: 92 mm
Weight: 60 g
Connections:

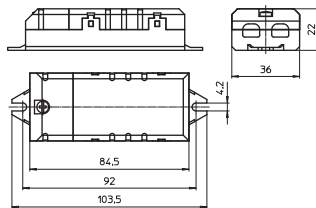
- prim.: 2 x screw terminals 2.5 mm²
- sec.: 2 x screw terminals 2.5 mm²

Ref. No.: 186204



EN 61347-1; EN 61347-2-13 (Safety)
EN 61000-3-2 (Mains Harmonics)
EN 55015 (Non radio disturbance)
EN 61547 (EMC Immunity Requirements)
EN 62384 (Performance)

Service life time: 50,000 hrs
permanent operation when maximum temperature
 t_c max. at t_c point will not be exceeded;
failure rate: < 0.2% per 1000 hrs



LEDLine EDXe 120

Electronic converters for Light Emitting Diodes

Vossloh-Schwabe's LEDLine EDXe 120/24 V converter is a control component with a voltage output of 24 V and an output of up to 20 W for operating LED applications.

The converter is pre-assembled with a mains lead on primary side for easy connection.

The converter is electronically protected against overload, overheating and short-circuiting.

Mains voltage: 220/240 V

Mains frequency: 50-60 Hz

Mains current: 230/210 mA

Protection against "no load" operation

Degree of protection: IP20

Protection class II

SELV-equivalent

Power factor: 0.5

Output: 0.1-20 W

Voltage output: 24 V \pm 0.5 V

Output current: 0.85 A

Ambient temperature t_a : -20 to 45 °C

Casing temperature t_c : 75 °

Converter EDXe 120

Shape (LxWxH): 182 x 42 x 18 mm

Weight: 155 g

Connections:

prim.: mains connection cable, length: 1.48 m

sec.: screw terminals 1.5 mm²

Ref. No.: 186129



EN 61347-1; EN 61347-2-13 (Safety)

EN 61000-3-2 (Mains Harmonics)

EN 55015 (Non radio disturbance)

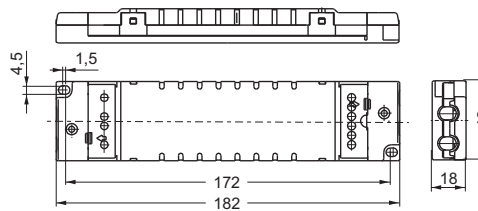
EN 61547 (EMC Immunity Requirements)

Service life time: 50,000 hrs

permanent operation when maximum temperature

t_c max. at t_c point will not be exceeded;

failure rate: < 0.2% per 1000 hrs



The values contained in this data sheet can change due to technical innovations. Any such changes will be made without separate notification. Please find further detailed information www.vossloh-schwabe.com.

LEDLine EDXe 150/24 V

Electronic converters for Light Emitting Diodes

Vossloh-Schwabe's LEDLine EDXe 150/24 V converter is a control component with a voltage output of 24 V and an output of up to 50 W for operating LED applications. The converters are electronically protected against overload, overheating and short-circuiting.

Mains voltage: 220/240 V
 Mains frequency: 0 Hz, 50-60 Hz
 Mains current: 260/235 mA
 Protection against "no load" operation
 Degree of protection: IP20
 Protection class I
 SELV
 Power factor: 0.97
 Ambient temperature t_a : -40 to 45 °C
 Casing temperature t_c : 70 °C
 Output: 0-50 W
 Voltage output: 24 V \pm 0.72 V
 Output current: 0-2.1 A

Converter EDXe 150/24 V

Shape (LxWxH): 187 x 60 x 36 mm
 Fixing distance: 178 mm
 Weight: 320 g
 Push-in terminals with push button:
 2.5 mm² solid lead

Ref. No.: 186218

Converter EDXe 150/24 V with cord grip

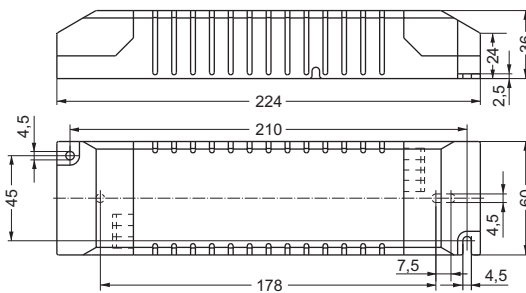
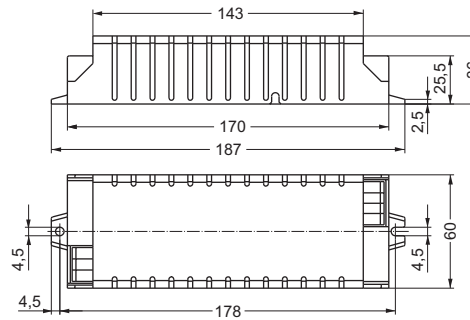
Shape (LxWxH): 224 x 60 x 36 mm
 Fixing distance: 210 mm
 Weight: 370 g
 Push-in terminals with push button:
 2.5 mm² solid lead
 Cord grip approved for mains leads:
 H03W-F 3X0.75 mm² or NYM 3X1.5 mm²
 Cord grip approved for output leads:
 SIHY-Cu 4X1 mm² or SIHSI-Cu 4X1 mm²

Ref. No.: 186219



EN 61347-1; EN 61347-2-13 (Safety)
 EN 61000-3-2 (Mains Harmonics)
 EN 55015 (Non radio disturbance)
 EN 61547 (EMC Immunity Requirements)

Service life time: 50,000 hrs
 permanent operation when maximum temperature
 t_c max. at t_c point will not be exceeded;
 failure rate: < 0.2% per 1000 hrs



The values contained in this data sheet can change due to technical innovations. Any such changes will be made without separate notification. Please find further detailed information www.vossloh-schwabe.com.

LEDLine EDXe 150/12 V

Electronic converters for Light Emitting Diodes

Vossloh-Schwabe's LEDLine EDXe 150/12 V converter is a control component with a voltage output of 12 V and an output of up to 50 W for operating LED applications. The converters are electronically protected against overload, overheating and short-circuiting.

Mains voltage: 220/240 V
 Mains frequency: 0 Hz, 50-60 Hz
 Mains current: 260/230 mA
 Protection against "no load" operation
 Degree of protection: IP20
 Protection class I
 SELV
 Power factor: 0.97
 Ambient temperature t_a : -40 to 45 °C
 Casing temperature t_c : 70 °C
 Output: 0 - 50 W
 Voltage output: 12.1 V \pm 0.24 V
 Output current: 0 - 4.2 A

Converter EDXe 150/12 V

Shape (LxWxH): 187x60 x 36 mm
 Fixing distance: 178 mm
 Weight: 375 g
 Push-in terminals with push button:
 2.5 mm² solid lead

Ref. No.: 186216

Converter EDXe 150/12 V with cord grip

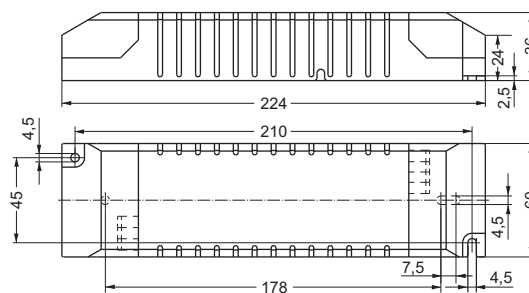
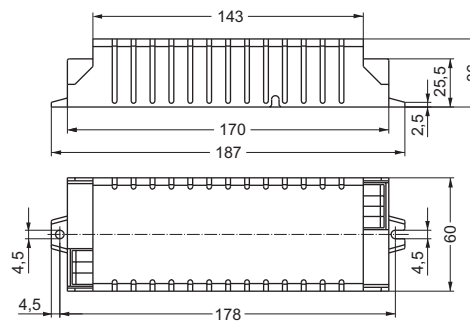
Shape (LxWxH): 224x60 x 36 mm
 Fixing distance: 210 mm
 Weight: 425 g
 Push-in terminals with push button:
 2.5 mm² solid lead
 Cord grip approved for mains leads:
 H03W-F 3X0.75 mm² or NYM 3X1.5 mm²
 Cord grip approved for output leads:
 SIHY-Cu 4X1 mm² or SIHSI-Cu 4X1 mm²

Ref. No.: 186217



EN 61347-1; EN 61347-2-13 (Safety)
 EN 61000-3-2 (Mains Harmonics)
 EN 55015 (Non radio disturbance)
 EN 61547 (EMC Immunity Requirements)

Service life time: 50,000 hrs
 permanent operation when maximum temperature
 t_c max. at t_c point will not be exceeded;
 failure rate: < 0.2% per 1000 hrs



The values contained in this data sheet can change due to technical innovations. Any such changes will be made without separate notification. Please find further detailed information www.vossloh-schwabe.com.

LEDLine EDXe 170/24 V

Electronic converters for Light Emitting Diodes

Vossloh-Schwabe's LEDLine EDXe 170/24 V converter is a control component with a voltage output of 24 V and an output of up to 70 W for operating LED applications. The converters are electronically protected against overload, overheating and short-circuiting.

Mains voltage: 220/240 V
 Mains frequency: 50–60 Hz
 Mains current: 360/330 mA
 Protection against "no load" operation
 Degree of protection: IP20
 Protection class I
 SELV
 Power factor: 0.97
 Ambient temperature t_a : -20 to 45 °C
 Casing temperature t_c : 70 °C
 Output: 0 – 70 W
 Voltage output: 24 V \pm 0.48 V
 Output current: 0 – 2.9 A

Converter EDXe 170/24 V

Shape (LxWxH): 200 x 61 x 49 mm
 Fixing distance: 191 mm
 Weight: 340 g
 Push-in terminals with push button:
 2.5 mm² solid lead

Ref. No.: 186103

Converter EDXe 170/24 V with cord grip

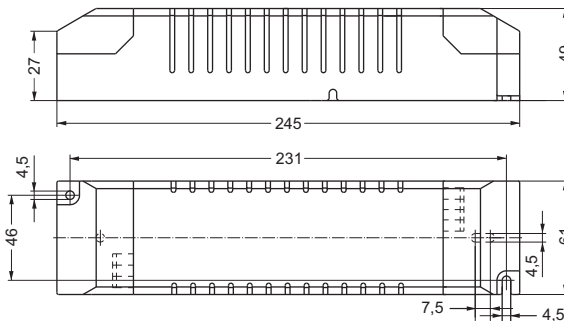
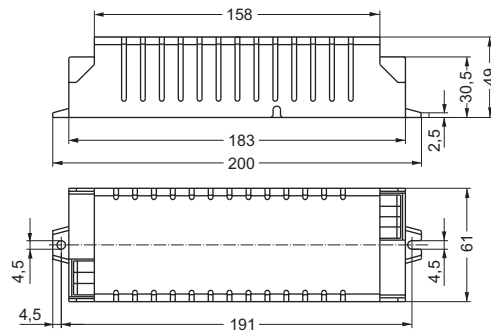
Shape (LxWxH): 245 x 61 x 49 mm
 Fixing distance: 231 mm
 Weight: 360 g
 Push-in terminals with push button:
 2.5 mm² solid lead
 Cord grip approved for mains leads:
 H03W-F 3X0.75 mm² or NYM 3X1.5 mm²
 Cord grip approved for output leads:
 SIHY-Cu 4X1 mm² or SIHSI-Cu 4X1 mm²

Ref. No.: 186104



EN 61347-1; EN 61347-2-13 (Safety)
 EN 61000-3-2 (Mains Harmonics)
 EN 55015 (Non radio disturbance)
 EN 61547 (EMC Immunity Requirements)

Service life time: 50,000 hrs
 permanent operation when maximum temperature
 t_c max. at t_c point will not be exceeded;
 failure rate: < 0.2% per 1000 hrs



The values contained in this data sheet can change due to technical innovations. Any such changes will be made without separate notification. Please find further detailed information www.vossloh-schwabe.com.

LEDLine EDXe 170/24 V IP67

Electronic converters for Light Emitting Diodes

Vossloh-Schwabe's LEDLine EDXe 170/24 V IP67 converter is a control component with a voltage output of 24 V and an output of up to 70 W for operating LED applications.

The converter is electronically protected against overload, overheating and short-circuiting.

Mains voltage: 220/240 V
 Mains frequency: 50-60 Hz
 Mains current: 360/330 mA
 Protection against "no load" operation
 Degree of protection: casing IP67
 Protection class I
 SELV
 Power factor: 0.97
 Ambient temperature t_a : -20 to 45 °C
 Casing temperature t_c : 70 °C
 Output: 0-70 W
 Voltage output: 24 V \pm 0.48 V
 Output current: 0-2.9 A

Converter EDXe 170/24 V IP67

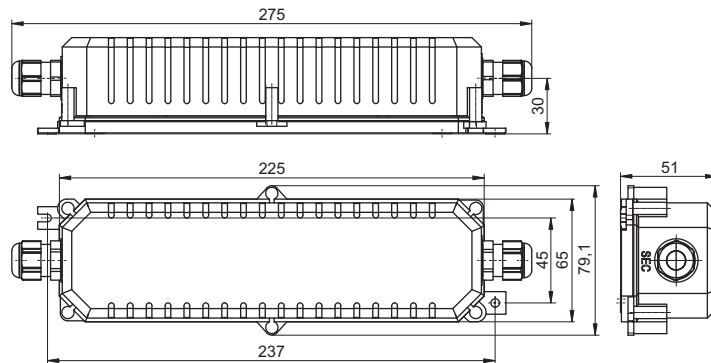
Shape (LxWxH): 275x79.1x51 mm
 Fixing distance: 235 mm
 Weight: 515 g
 Pre-assembled connection:
 prim.: 3X1 mm², H05RN-F, 500 mm
 sec.: 2X2 mm², SO7RN-F, 500 mm

Ref. No.: 186105



EN 61347-1; EN 61347-2-13 (Safety)
 EN 61000-3-2 (Mains Harmonics)
 EN 55015 (Non radio disturbance)
 EN 61547 (EMC Immunity Requirements)

Service life time: 50,000 hrs
 permanent operation when maximum temperature
 t_c max. at t_c point will not be exceeded;
 failure rate: < 0.2% per 1000 hrs



LEDLine EDXe 170/12 V

Electronic converters for Light Emitting Diodes

Vossloh-Schwabe's LEDLine EDXe 170/12 V converter is a control component with a voltage output of 12 V and an output of up to 70 W for operating LED applications. The converters are electronically protected against overload, overheating and short-circuiting.

Mains voltage: 220/240 V
 Mains frequency: 50-60 Hz
 Mains current: 365/335 mA
 Protection against "no load" operation
 Degree of protection: IP20
 Protection class I
 SELV
 Power factor: 0.97
 Ambient temperature t_a : -20 to 45 °C
 Casing temperature t_c : 70 °C
 Output: 0-70 W
 Voltage output: 12.1 V \pm 0.24 V
 Output current: 0-5.8 A

Converter EDXe 170/12 V

Shape (LxWxH): 200 x 61 x 49 mm
 Fixing distance: 191 mm
 Weight: 340 g
 Push-in terminals with push button:
 2.5 mm² solid lead

Ref. No.: 186112

Converter EDXe 170/12 V with cord grip

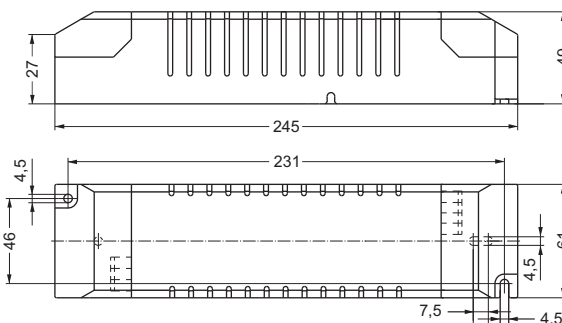
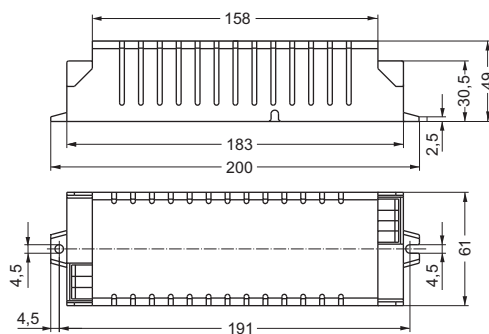
Shape (LxWxH): 245 x 61 x 49 mm
 Fixing distance: 231 mm
 Weight: 360 g
 Push-in terminals with push button:
 2.5 mm² solid lead
 Cord grip approved for mains leads:
 H03W-F 3X0.75 mm² or NYM 3X1.5 mm²
 Cord grip approved for output leads:
 SIHY-Cu 4X1 mm² or SIHSI-Cu 4X1 mm²

Ref. No.: 186113



EN 61347-1; EN 61347-2-13 (Safety)
 EN 61000-3-2 (Mains Harmonics)
 EN 55015 (Non radio disturbance)
 EN 61547 (EMC Immunity Requirements)

Service life time: 50,000 hrs
 permanent operation when maximum temperature
 t_c max. at t_c point will not be exceeded;
 failure rate: < 0.2% per 1000 hrs



The values contained in this data sheet can change due to technical innovations. Any such changes will be made without separate notification. Please find further detailed information www.vossloh-schwabe.com.

LEDLine EDXe 170/12 V IP67

Electronic converters for Light Emitting Diodes

Vossloh-Schwabe's LEDLine EDXe 170/12 V IP67 converter is a control component with a voltage output of 12 V and an output of up to 70 W for operating LED applications.

The converter is electronically protected against overload, overheating and short-circuiting.

Mains voltage: 220/240 V

Mains frequency: 50-60 Hz

Mains current: 365/335 mA

Protection against "no load" operation

Degree of protection: IP67

Protection class I

SELV

Power factor: 0.97

Ambient temperature t_a : -20 to 45 °C

Casing temperature t_c : 70 °C

Output: 0-70 W

Voltage output: 12.1 V \pm 0.24 V

Output current: 0-5.8 A

Converter EDXe 170/12 V IP67

Shape (LxWxH): 275x79.1x51 mm

Fixing distance: 235 mm

Weight: 515 g

Pre-assembled connection:

prim.: 3X1 mm², H05RN-F, 500 mm

sec.: 2X2 mm², SO7RN-F, 500 mm

Ref. No.: 186114



EN 61347-1; EN 61347-2-13 (Safety)

EN 61000-3-2 (Mains Harmonics)

EN 55015 (Non radio disturbance)

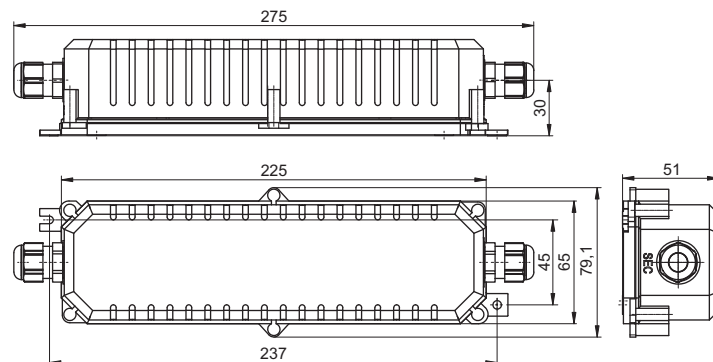
EN 61547 (EMC Immunity Requirements)

Service life time: 50,000 hrs

permanent operation when maximum temperature

t_c max. at t_c point will not be exceeded;

failure rate: < 0.2% per 1000 hrs



EDLine EDXe 1130/24 V

Electronic converters for Light Emitting Diodes

Vossloh-Schwabe's LEDLine EDXe 1130/24 V converter is a control component with a voltage output of 24 V and an output of up to 130 W for operating LED applications.

The converters are electronically protected against overload, overheating and short-circuiting.

Mains voltage: 220/240 V
 Mains frequency: 50-60 Hz
 Mains current: 640/585 mA
 Protection against "no load" operation
 Degree of protection: IP20
 Protection class I
 SELV
 Power factor: 0.98
 Ambient temperature t_a : -20 to 45 °C
 Casing temperature t_c : 75 °C
 Output: 0-130 W
 Voltage output: 24 V \pm 0.48 V
 Output current: 0-5.4 A

Converter EDXe 1130/24 V

Shape (LxWxH): 200 x 61 x 49 mm
 Fixing distance: 191 mm
 Weight: 370 g
 Push-in terminals with push button:
 2.5 mm² solid lead

Ref. No.: 186131

Converter EDXe 1130/24 V with cord grip

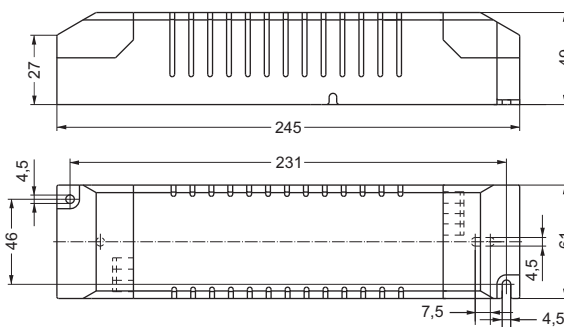
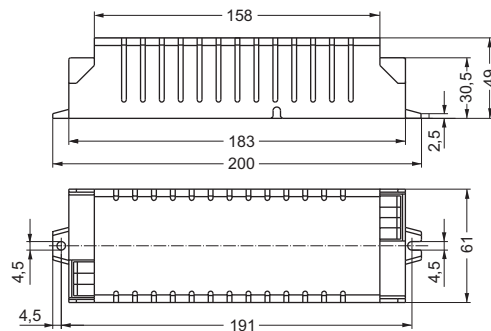
Shape (LxWxH): 245 x 61 x 49 mm
 Fixing distance: 231 mm
 Weight: 390 g
 Push-in terminals with push button:
 2.5 mm² solid lead
 Cord grip approved for mains leads:
 H03W-F 3X0.75 mm² or NYM 3X1.5 mm²
 Cord grip approved for output leads:
 SIHY-Cu 4X1 mm² or SIHSI-Cu 4X1 mm²

Ref. No.: 186132



EN 61347-1; EN 61347-2-13 (Safety)
 EN 61000-3-2 (Mains Harmonics)
 EN 55015 (Non radio disturbance)
 EN 61547 (EMC Immunity Requirements)

Service life time: 50,000 hrs
 permanent operation when maximum temperature
 t_c max. at t_c point will not be exceeded;
 failure rate: < 0.2% per 1000 hrs



LEDLine EDXe 1130/24 V IP67

Electronic converters for Light Emitting Diodes

Vossloh-Schwabe's LEDLine EDXe 1130/24 V IP67 converter is a control component with a voltage output of 24 V and an output of up to 130 W for operating LED applications. The converter is electronically protected against overload, overheating and short-circuiting.

Mains voltage: 220/240 V
 Mains frequency: 50-60 Hz
 Mains current: 640/585 mA
 Protection against "no load" operation
 Degree of protection: IP67
 Protection class I
 SELV
 Power factor: 0.97
 Ambient temperature t_a : -20 to 45 °C
 Casing temperature t_c : 70 °C
 Output: 0-130 W
 Voltage output: 24 V \pm 0.48 V
 Output current: 0-5.4 A

Converter EDXe 1130/24 V IP67

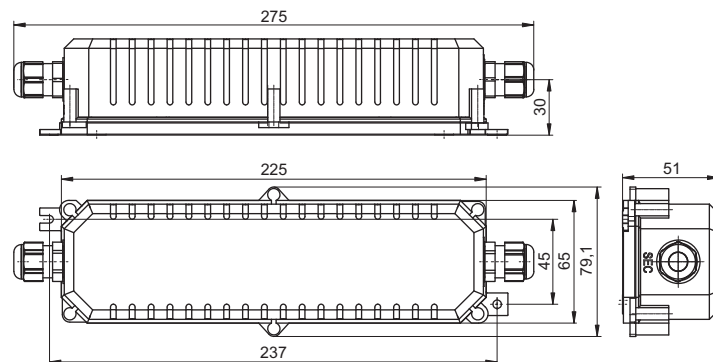
Shape (LxWxH): 275x79.1x51 mm
 Fixing distance: 235 mm
 Weight: 545 g
 Pre-assembled connection:
 prim.: 3X1 mm², H05RN-F, 500 mm
 sec.: 2X2 mm², S07RN-F, 500 mm

Ref. No.: 186133



EN 61347-1; EN 61347-2-13 (Safety)
 EN 61000-3-2 (Mains Harmonics)
 EN 55015 (Non radio disturbance)
 EN 61547 (EMC Immunity Requirements)

Service life time: 50,000 hrs
 permanent operation when maximum temperature
 t_c max. at t_c point will not be exceeded;
 failure rate: < 0.2% per 1000 hrs



The values contained in this data sheet can change due to technical innovations. Any such changes will be made without separate notification. Please find further detailed information www.vossloh-schwabe.com.